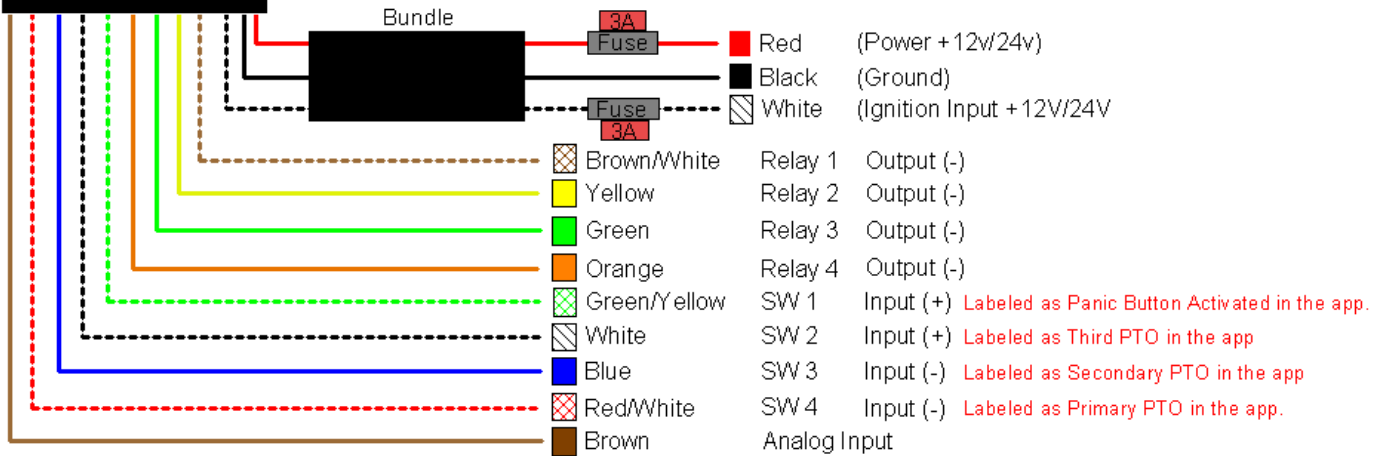
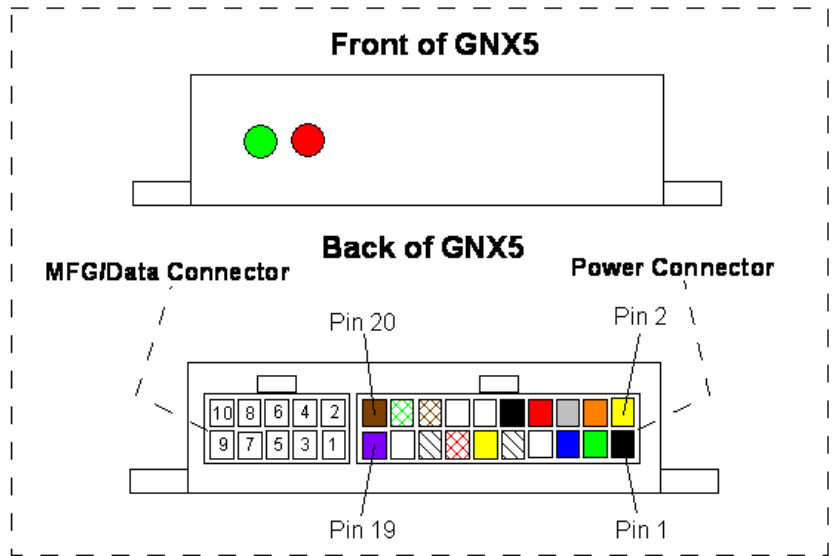
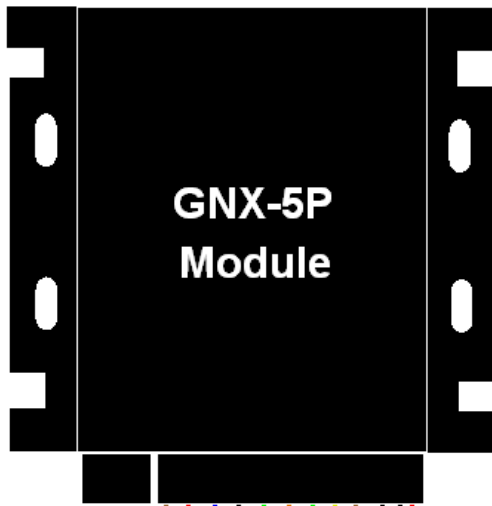


GenX-5

Wiring/Schematic Diagrams & Pinout Tables



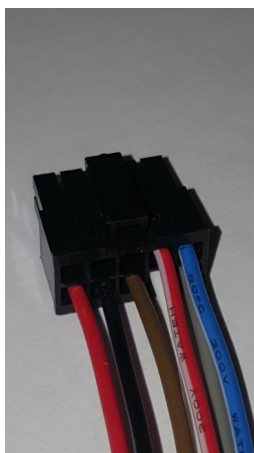
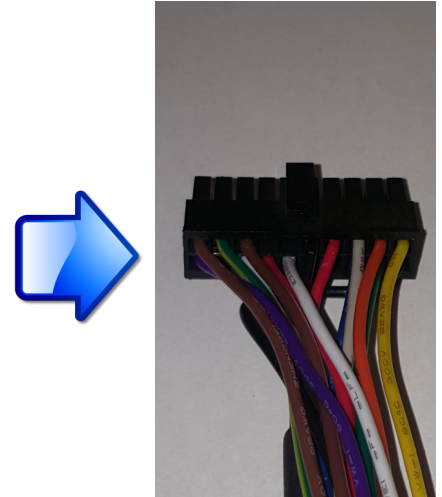
GenX-5

Wiring/Schematic Diagrams & Pinout Tables

Please refer to Pg. 1 “Back of GNX5” diagram

Power Connector

Pin	Harness Wire Color	Description
1	Black	GROUND
2	Yellow	Relay 2 Output (-)
3	Green	Relay 3 Output (-)
4	Orange	Relay 4 Output (-)
5	Blue	Switch 3 Input (-) (Labeled as Secondary PTO in the app.)
6	Grey	1-Wire Data
7	-	NOT USED
8	Red (Bundle)	Power Input (+8 to +30v constant)
9	-	NOT USED
10	Black (Bundle)	GROUND
11	White	Switch 2 Input (+) (Labeled as Third PTO in the app.)
12	-	NOT USED
13	Red/White	Switch 4 Input (-) (Labeled as Primary PTO in the app.)
14		Microphone Input (+) (option)
15	White (Bundle)	Ignition Input (+)
16	White/Brown	Relay 1 Output (-)
17	Black	GROUND
18	Green/Yellow	Switch 1 Input (+) (Labeled as Panic Button Activated in app.)
19	Purple	LED Output (+20mA max)
20	Brown	Analog Input (0-16v)



MFG/Data Connector

Pin	Harness Wire Color	Description
1	Grey	TxD (RS-232 output)
2	Blue/White	RxD (RS-232 input)
3	White	GROUND
4	Red/White	CTS (RS-232 input)
5	Brown	RTS (RS-232 output)
6	-	MFG Test Enable Input (-)
7	Black	GROUND
8	-	MDM RxD2 (645 ONLY)
9	Red	Switched 12v out (1A max)
10	-	MDDM TxD2 (645 ONLY)

